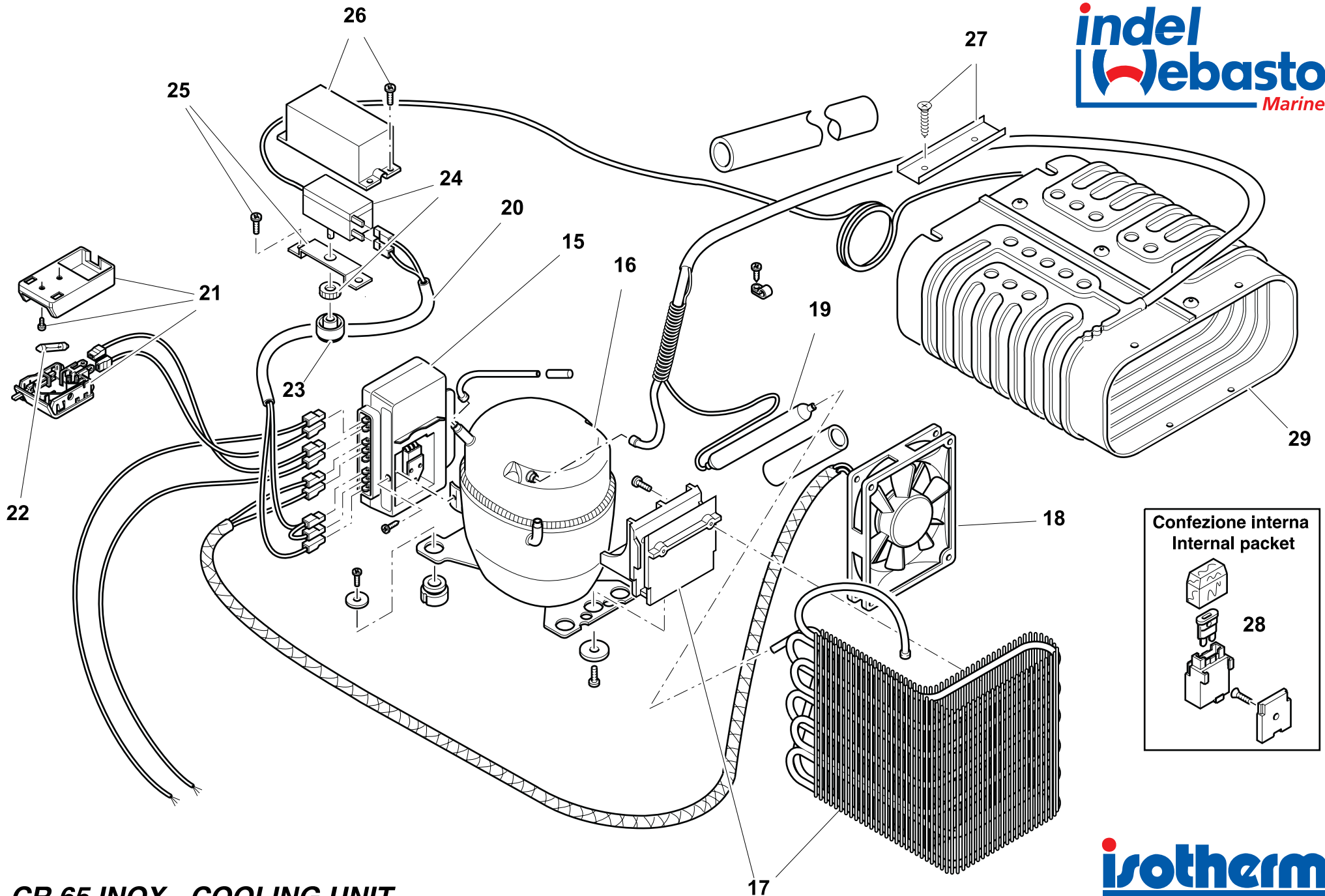


CR 65 INOX - CABINET



CR 65 INOX - COOLING UNIT

NUMERO NUMBER	CODICE ARTICOLO ITEM CODE	DESCRIZIONE ARTICOLO ITEM DESCRIPTION
1		
2	SBE00068AA	CERNIERA INOX CR130/195 E TUTTI CR VER. INOX HINGE INOX FOR CR130/195 AND ALL VER. INOX TYPE
3	SGB00053AA	FLANGIA FM 3-LATI CR65 INOX PER FRIGO INOX 3-SIDE FLUSH MOUNTING FRAME FOR CR65 INOX
4	SDF00016AA	KIT FISSAGGIO EVAPORATORE PER CRUISE FIXING KIT FOR O-EVAPORATOR FOR CRUISE
5	SGD00012AA	MANIGLIA INOX "CRUISE INOX" INOX HANDLE/LOCKER FOR "CRUISE INOX"
6	SGC00021AA	PORTINA EVAPORATORE EVAPORATOR DOOR FOR CR 42/4965/85/130/GE100
7	SGC00019AA	PORTASGOCCIOLATOIO CR42/49/65 DRIP TRAY FRAME CR42/49/65
8	SGC00020AA	SGOCCIOLATOIO CR42/49/65 DRIP TRAY CR42/49/65
9	SGC00124AA	PORTA INOX CR65 INOX DOOR CR65
10		
11	SGC00009AA	GRIGLIA INTERNA CR65/CR65 FREEZER INTERNAL SHELF CR65/CR65 FREEZER
12		
13	SDF00010AA	PIEDINI CRUISE RUBBER FOOT CRUISE/TB26
14	SGC00022AA	CUBETTIERA ICE CUBE
15	SEG00002DA	CENTRALINA DANFOSS BD35/50F 12/24V ELECTRICAL UNIT DANF. 101N0210 BD35/50F 12/24V
15	SEG00030GA	CENTRALINA DANFOSS BD35/50F AC/DC 12/24V DC 110/220V AC ELECT. UNIT DANFOSS BD35F/50FAC/DC 12/24V-115/230V
16	SBA00002DA	COMPRESSORE DANFOSS BD35F DANFOSS COMPRESSOR BD35F 12/24V NO ELECTRICAL UNIT
17	SBD00028AA	CONDENSATORE A FILO AIR CONDENSER PIN TYPE WITH BRACKET
18	SBG00005BA	VENTOLA CABLATA 12V LOW SPEED FAN 12V LOW SPEED FOR COMPACT AND CRUISE
19	SBD00073AA	FILTRO 10g PER CR FILTER 10Gr FOR R134a B041 TUBE 6+2mm (CRUISE/DANFOSS)
20		
21	SEC00003DA	PLAFONIERA COMPLETA 12/24V INTERNAL LIGHT KIT 12-24V
22	SEC00005CA	LAMPADA A SILURO 24V-3W LIGHT BULB 24V-3W
22	SEC00007BA	LAMPADA A SILURO 12V-3W LIGHT BULB 12V-3W
23	SEA00024AA	MANOPOLA TERMOSTATO CR49/50/65 THERMOSTAT KNOB FOR CR49/65
24	SEA00031DA	TERMOSTATO CR42/49/50/65/85/100/120/130/TB26/BI41 THERMOSTAT CR42/49/50/65/85/100/120/130/BI41/TB26/
25		
26	SEA00015AA	SCATOLA PVC NERA TERMOSTATO PLASTIC HOUSE THERMOSTATE BLACK
27	SEA00021AA	STAFFA FISSAGGIO TERMOSTATO THERMOSTAT PROBE ALUMINIUM FIXING BRACKET
28	SEB00039AA	KIT PORTA-FUSIBILE 15A FUSE-KIT 15A
29	SBF00010AA	EVAPORATORE CR49/65L O-EVAPORATOR CR49/65