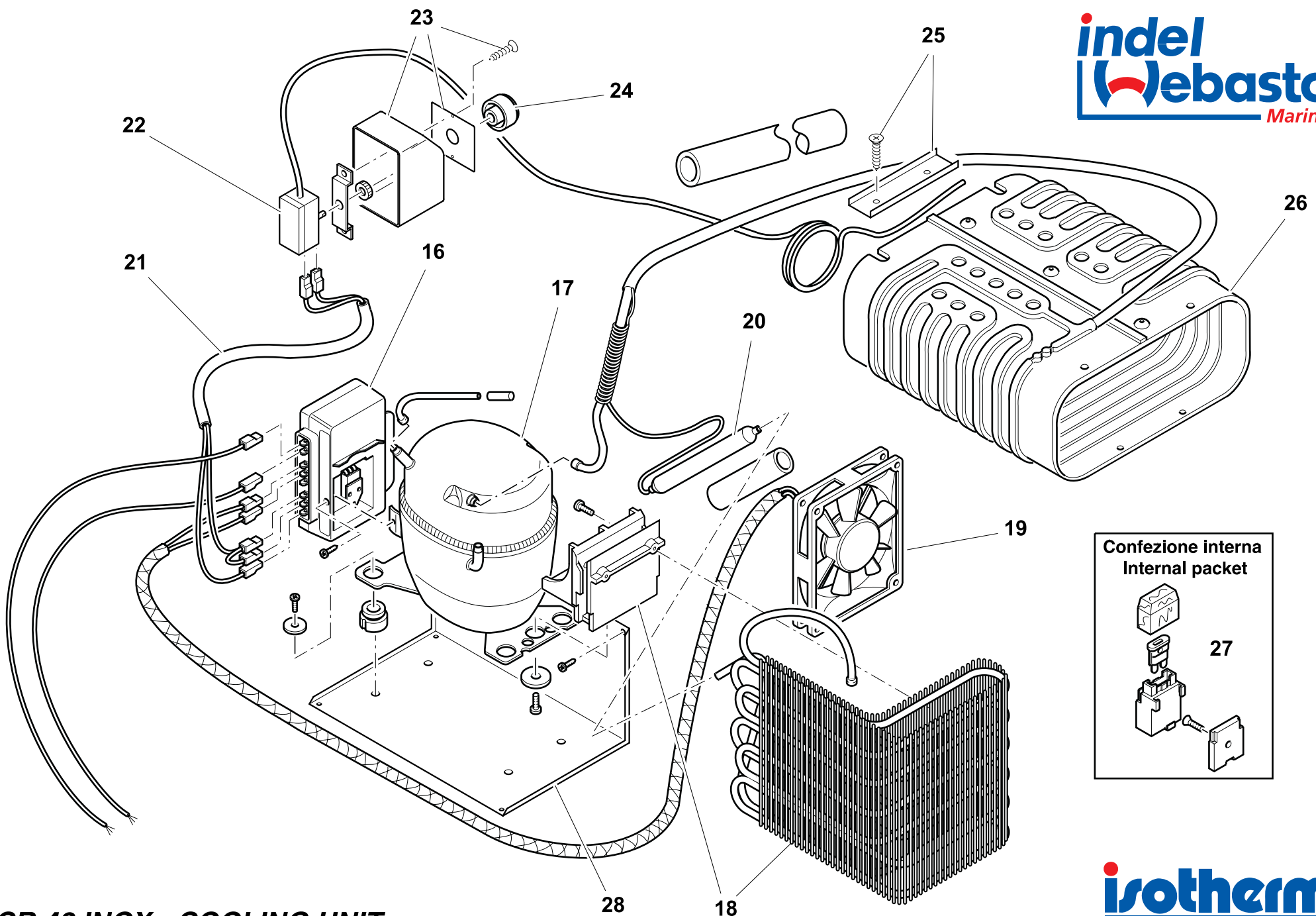


**CR 42 INOX - CABINET**



**CR 42 INOX - COOLING UNIT**

NUMERO NUMBER	CODICE ARTICOLO ITEM CODE	DESCRIZIONE ARTICOLO ITEM DESCRIPTION
1	SAA00047AA	BAULETTO CR42 SENZA PORTA CABINET CR42 WITHOUT DOOR F056
2	SBE00068AA	CERNIERA INOX CR130/195 E TUTTI CR VER. INOX HINGE INOX FOR CR130/195 AND ALL VER. INOX TYPE REF. F188
3	SGC00022AA	CUBETTIERA ICE CUBE D021
4	SDF00016AA	KIT FISSAGGIO EVAPORATORE PER CRUISE FIXING KIT FOR O-EVAPORATOR FOR CRUISE
5	SGC00079AA	BALCONCINO SUPERIORE CR42/49 K080 UP RETAINER FOR CR42/49 K080
6	SGD00012AA	MANIGLIA INOX "CRUISE INOX" INOX HANDLE/LOCKER FOR "CRUISE INOX"
7	SGC00127AA	PORTA INOX CR49 F140 INOX DOOR CR49 F140
8	SGC00131AA	PORTINA EVAPORATORE CR INOX 49/65/85/130L EVAPORATOR DOOR CR INOX 49/65/85/130L
9	SGC00019AA	PORTASGOCCIOLATOIO CR42/49/65 D001 DRIP TRAY FRAME CR42/49/65 D001
10	SGC00020AA	SGOCCIOLATOIO CR42/49/65 D002 DRIP TRAY CR42/49/65 D002
11	SGC00100AA	BALCONCINO INFERIORE CR42/49 K093 DOWN RETAINER CR42/49 K093
11	SGC00101AA	FILONCINO METALLO PER BALCONCINO CR42/49 METAL RETAINER CR42-49 K094
12	SGC00007AB	GRIGLIA INTERNA CR42 CON CANCELLETTO INTERNAL SHELF FOR CR42 NEW TYPE
13	SGB00070AA	FLANGIA FM 3-LATI CR49 INOX PER FRIGO INOX 3-SIDE FLUSH MOUNTING FRAME FOR CR49 INOX
14	SGB00036AA	SOSTEGNO INOX CONTROPORTA CR42/50/65/80/120L INOX SUPPORT FOR CRUISE DOOR CR42/50/65/80/120L
15	SDF00010AA	PIEDINI CRUISE RUBBER FOOT CRUISE/TB26 E073
16	SEG00002DA	CENTRALINA DANFOSS BD35/50F 12/24V ELECTRICAL UNIT DANF. 101N0210 BD35/50F 12/24V TP39310
16	SEG00030GA	CENTRALINA DANFOSS BD35/50F AC/DC 12/24V DC 110/220V AC ELECT. UNIT DANFOSS BD35F/50FAC/DC 12/24V-115/230V
17	SBA00002DA	COMPRESSORE DANFOSS BD35F DANFOSS COMPRESSOR BD35F 12/24V NO ELECTRICAL UNIT TP39301
18	SBD00028AA	CONDENSATORE A FILO AIR CONDENSER PIN TYPE WITH BRACKET (G251+G267) TP29014
19	SBG00005BA	VENTOLA CABLATA 12V LOW SPEED FAN 12V LOW SPEED FOR COMPACT AND CRUISE TP39236
20	SBD00073AA	FILTRO 10g PER CR FILTER 10Gr FOR R134a B041 TUBE 6+2mm (CRUISE/DANFOSS)
21	SEB00001AB	CAVO COLL. CENTR. TERMOSTATO LOW SPEED THERMOSTAT CABLE LOW SPEED
22	SEA00020DA	TERMOSTATO CR42/BI40/TR825/COMPACT O-EVAP. C008 THERMOSTAT CR42/BI40/TR825/COMPACT WITH O-EVAP. C008
23	SEA00023AA	SCATOLA TERMOSTATO QUADRATA PS BEIGE C020 BOX PVC FOR THERMOSTATE C020
24	SEA00002AA	MANOPOLA TERMOSTATO CR42/TB26/BI41/COMPACT THERMOSTAT KNOB FOR CR42/TB26/BI41/CLASSIC COMPACT
25	SEA00021AA	STAFFA FISSAGGIO BULBO TERMOSTATO ALLUMINO VENTOLA CABLATA 12V LOW SPEED
26	SBF00060AA	EVAPORATORE CR42/GE100 VENTILATO O-SMALL EVAPORATOR FOR CR42/GE100 G026
27	SEB00039AA	KIT PORTA-FUSIBILE 15A FUSE-KIT 15A