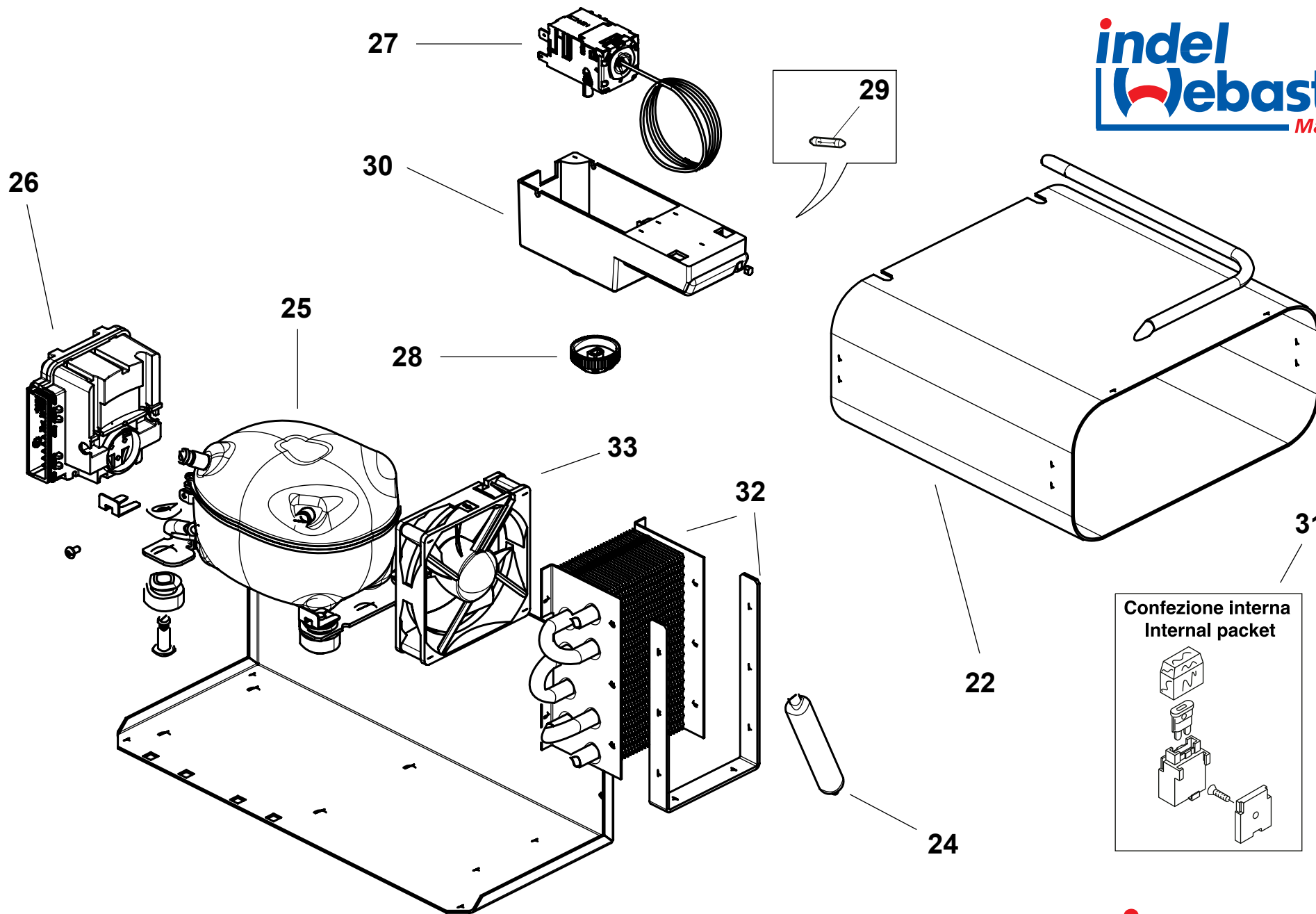


CR 42 CLEAN TOUCH - CABINET



CR 42 CLEAN TOUCH - COOLING UNIT

RICAMBI CR42 CLEAN TOUCH SPARE PARTS CR42 CLEAN TOUCH

NUMERO NUMBER	COD. ARTICOLO ITEM CODE	DESCRIZIONE ARTICOLO ITEM DESCRIPTION
1	SDF00086AB	GOMMINO ANTIURTO PER FLANGIA INOX CONFEZIONE 6PZ RUBBER BUMPER FOR INOX FRAME 6PCS
2	SBE00194AB	CERNIERA SUPERIORE CR ELEGANCE UPPER HINGE CR ELEGANCE
4	SBE00224AA	GRIGLIA INTERNA CR42 CLASSIC/ELEGANCE C. INTERNAL SHELF CR42 CLASSIC/ELEGANCE C.
5	SGC00365AA	COPERTURA EVAPORATORE PLASTICA BIANCA CR42/CR49/CR65 ELEGANCE PLASTIC COVER FOR EVAPORATOR CR42/CR49/CR65 ELEGANCE
6	SGC00294AA	PORTINA EVAPORATORE CRUISE CR42/CR49/CR65/CR85/CR130 C. & ELEGANCE EVAPORATOR DOOR CRUISE CR42/CR49/CR65/CR85/CR130 C. EL.
7	SGC00366AA	SGOCCIOLATOIO EVAPORATORE CR42/CR49/CR65 ELEGANCE DRIP TRAY FOR CR42/CR49/CR65 CHINA
8	SGC00022AA	CUBETTIERA CRUISE ICE CUBE CRUISE
9	SGB00190AA	FLANGIA 3 LATI FLUSH MOUNTING INOX CR42/CR49 CLEAN TOUCH FRAME 3-SIDE FLUSH MOUNTING INOX CR42/CR49 CLEAN TOUCH
10	SGC00448AA	PORTA INOX CLEAN TOUCH COMPLETA DI ACCESSORI PER CR42/49 COMPLETE INOX CLEAN-TOUCH DOOR FOR CR42/49
11	SGC00227AA	BALCONCINO GRANDE PORTA CRUISE 42/49 C. BIG RETAINER CRUISE 42/49 C.
12	SGC00234AA	FILONCINO PER BALCONCINO GRANDE CRUISE 42/49 C. BIG METAL RETAINER CR42/CR49 C.
13	SBE00195AB	CERNIERA INFERIORE CR ELEGANCE LOWER HINGE CR ELEGANCE
16	SGD00043AA	KIT MANIGLIA BRIGHT SILVER COMPLETA DI MOLLE E PERNI PER CR ELEGANCE HANDLE BRIGHT SILVER COMPLETE KIT WITH SPRINGS AND PIVOT CR ELEGANCE
17	SBE00211AA	STAFFA AGGANCIO TOP INOX CR ELEGANCE INOX SUPPORT BRACKET FOR TOP CR ELEGANCE
20	SGC00232AA	BALCONCINO PICCOLO PORTA CRUISE 42/49 C. SMALL RETAINER CRUISE 42/49 C.
22	SBF00118AA	EVAPORATORE CR42 CLASSIC/ ELEGANCE EVAPORATOR CR42 CLASSIC/ ELEGANCE
24	SBD00026AA	FILTRO 10gr 2V XH7 PER R134A Ø19mm foro in-out 5,0-5,1 FILTER 10gr Ø 19mm in-out 5,0-5,1
25	SBA00045DA	COMPRESSORE DANFOSS/SECOP BDMICRO SENZA CENTRALINA DANFOSS/SECOP COMPRESSOR BDMICRO WITHOUT EL. UNIT
26	SEG00043DA	CENTRALINA DANFOSS/SECOP BDMICRO VSD 12/24V ELECT. UNIT DANFOSS/SECOP BDMICRO VSD 12/24V
26	SEG00050GA	CENTRALINA SECOP BDMICRO VSD AC-DC ELECT. UNIT SECOP BDMICRO VSD AC-DC
27	SEA00092DA	TERMOSTATO CRUISE 42/49/65/85/130 C. THERMOSTAT CRUISE 42/49/65/85/130 C.
28	SEA00093AA	MANOPOLA TERMOSTATO CRUISE 42/49/65/85/130 C. THERMOSTAT KNOB CRUISE 42/49/65/85/130 C.
29	SEC00038DA	LAMPADINA LED CR49/65/85/130 ELEGANCE LED LAMP CR49/64/85/130 ELEGANCE
30	SEA00094AA	SCATOLA TERMOSTATO CRUISE 42/49/65/85/130 C. THERMOSTAT BOX CRUISE 42/49/65/85/130 C.
31	SEB00039AA	KIT PORTA-FUSIBILE 15A FUSE-KIT 15A
32	SBD00104AA	CONDENSATORE CRUISE 42/49/65 C. CRUISE 42/49/65 CONDENSER C.
33	SBG00037DA	VENTOLA 9x9 CR42/CR49/CR65 ELEGANCE FAN 9x9 CR42/CR49/CR65 ELEGANCE
34	SGF00026AA	INSERTO PLASTICA POSIZIONE VENTILAZIONE/CHIUSURA CR ELEGANCE PLASTIC INSERT VENTILATION/CLOSING POSITION CR ELEGANCE

NUMMER	ARTIKELNUMMER	ARTIKEL BESCHREIBUNG
NUMERO	REF. ARTICLE	DESCRIPTION ARTICLE
1	SDF00086AB	BUMPER GUMMI FÜR INOX RAHMEN 6 STÜCK PROTECTION CAOUTCHOUC CADRE INOX 6 PCES
2	SBE00194AB	OBERE SCHARNIERE CHARNIERE SUPERIEURE CR ELEGANCE
4	SBE00224AA	EINLEGE GITTER CRUISE 42 C. CLAYETTE INTERIEURE CR42 C.
5	SGC00365AA	KUNSTSTOFFABDECKUNG FÜR VERDAMPFER CR42/CR49/CR65 ELEGANCE PROTECTION PLASTIQUE EVAPORATEUR CR42/CR49/CR65 ELEGANCE
6	SGC00294AA	KLAPPE VOM GEFRIERFACH CR42/CR49/65/85/130 C. EL. PORTE EVAPORATEUR CRUISE CR42/CR49/CR65/CR85/CR130 C. EL
7	SGC00366AA	AUFANGSCHALE FÜR GEFRIERFACH CR42/CR49/CR65 C. BAC DE RECUPERATION POUR CR42/CR49/CR65 CHINE
8	SGC00022AA	EISWÜRFEL KIT CRUISE BAC A GLACONS CRUISE
9	SGB00190AA	3 SEITIGE RAHMEN FLUSH MOUNTING INOX CR42/CR49 CLEAN TOUCH CADRE D'ENCASTREMENT 3COTES FLUSH MOUNTING CR42/CR49 CLEAN TOUCH
10	SGC00448AA	KOMPLETTE TÜR CR42/CR49 CLEAN TOUCH PORTE COMPLETE CR42/CR49 CLEAN TOUCH
11	SGC00227AA	GROSSER HALTER CRUISE 42/49 C. PORTE BOUTEILLES BAS CRUISE 42/49 C.
12	SGC00234AA	GROSSER METALLHALTER CR42/CR49 C. BARRE METAL PORTE BOUTEILLES BAS CR42/CR49 C.
13	SBE00195AB	UNTERE SCHARNIERE CR ELEGANCE CHARNIERE INFERIEURE CR ELEGANCE
16	SGD00043AA	HEBELPANEL HELL SILBER KOMPLETER SATZ mit FEDER U. DREHPUNKT CR ELEGANCE KIT COMPLET POIGNEE PORTE CR ELEGANCE
17	SBE00211AA	EDELSTAHL HALTEBÜGEL FÜR TOP CR ELEGANCE SUPPORT INOX TOP CR ELEGANCE
20	SGC00232AA	KLEINER HALTER CRUISE 42/49 C. PORTE BOUTEILLES HAUT CRUISE 42/49 C.
22	SBF00118AA	VERDAMPFER CR42 CLASSIC/ ELEGANCE EVAPORATEUR CR42 CLASSIC/ ELEGANCE
24	SBD00026AA	FILTER FÜR R134a 2V XH7 R134A Ø19mm in-out 5,0-5,1 FILTRE 2V XH7 PER POUR R134A Ø19mm in-out 5,0-5,1
25	SBA00045DA	SECOP KOMPRESSOR BDMICRO 12/24V OHNE STEUERGERÄT COMPRESSEUR SECOP BDMICRO 12/24V SANS BOITIER ELECTRONIQUE
26	SEG00043DA	STEUERGERÄT SECOP BDMICRO VSD 12/24V BOITIER ELECTRONIQUE SECOP BDMICRO VSD 12/24V
26	SEG00050GA	STEUERGERÄT SECOP BDMICRO VSDAC/DC BOITIER ELECTRONIQUE SECOP BDMICRO VSD AC/DC
27	SEA00092DA	THERMOSTAT CRUISE 42/49/65/85/130 C. THERMOSTAT CRUISE 42/49/65/85/130 C.
28	SEA00093AA	THERMOSTAT KNOPF CRUISE 42/49/65/85/130 C. BOUTON THERMOSTAT CRUISE 42/49/65/85/130 C.
29	SEC00038DA	LED LEUCHTMITTEL CR49/64/85/130 ELEGANCE AMPOULE LED CR49/64/85/130 ELEGANCE
30	SEA00094AA	BOX FÜR THERMOSTAT CRUISE 42/49/65/85/130 C. BOITIER THERMOSTAT CRUISE 42/49/65/85/130 C.
31	SEB00039AA	KIT SICHERUNG 15A KIT FUSIBLE 15A
32	SBD00104AA	CRUISE 42/49/65 C. KONDENSER CONDENSEUR CRUISE 42/49/65 C.
33	SBG00037DA	GEBLÄSE 9x9 CR42/CR49/CR65 ELEGANCE VENTILATEUR 9x9 CR42/CR49/CR65 ELEGANCE
34	SGF00026AA	KUNSTSTOFFEINSATZ VENTILATION/GESCHLOSSEN POSITION CR ELEGANCE ELEMENT DE BLOCAGE VENTILATION/FERMETURE CRUISE ELEGANCE

NÚMERO NUMBER	NÚMERO ARTICULO ARTIKELNUMMER	DESCRIPCIÓN DE LA PARTE ARTIKELBESKRIVNING
1	SDF00086AB	PROTECCIÓN DE GOMA PARA MARCO INOX 6 UDS GUMMIPROPP FÖR ROSTFRI STÅLRAM 6-PACK
2	SBE00194AB	BISAGRA SUPERIOR CR ELEGANCE ÖVRE GÅNGJÄRN CR ELEGANCE
4	SBE00224AA	REJILLA INTERIOR CR42 C. INRE HYLLE CR 42 C.
5	SGC00365AA	TAPA DE PLASTICO BLANCA PARA EVAPORADOR CR42/CR49/CR65 ELEGANCE PLASTHÖLJE FÖRÅNGARE CR42/49/65 EL
6	SGC00294AA	PUERTA EVAPORADOR CRUISE CR42/CR49/CR65/CR85/CR130 C.&ELEGANCE DÖRR FÖRÅNGARE CR42/CR49/CR65/CR85/CR130 C. & EL
7	SGC00366AA	DEPOSITO ANTI GOTEO PARA CR42/CR49/CR65 C. DROP-FAT FÖRÅNGARE CR42/CR49/65 EL
8	SGC00022AA	CUBITERA CRUISE ISBIT KIT CRUISE
9	SGB00190AA	MARCO 3 LADOS INOX FLUSH MOUNTING CR42/CR49 CLEAN TOUCH 3 SIDOR RAM INOX FLUSH MOUNTING CR42/CR49 CLEAN TOUCH
10	SGC00448AA	PUERTA COMPLETA DE ACCESORIOS CR42/CR49 CLEAN TOUCH DÖRR CR42/CR49 CLEAN TOUCH KOMPLETT
11	SGC00227AA	PORTA BOTELLAS CRUISE 42/49 C STOR HYLLE DÖRR CR42/CR49 C.
12	SGC00234AA	BARRA SOPORTE PARA ESTANTE GRANDE PUERTA CR42/CR49 C METALHÅLLARE STOR HYLLE DÖRR CR42/CR49 C.
13	SBE00195AB	BISAGRA INFERIOR CR ELEGANCE NEDRE GÅNGJÄRN CR ELEGANCE
16	SGD00043AA	KIT COMPLETO TIRADOR PUERTA BRIGHT SILVER CR ELEGANCE KIT HANDTAG SILVER KOMPLETT MED FJADER OCH CYLINDER CR ELEGANCE
17	SBE00211AA	BASE DE INOX ENGANCHE SUPERIOR CR ELEGANCE FÄSTE I ROSTFRITT STÅL FÖR TOP CR ELEGANCE
20	SGC00232AA	BARRA SUJETADORA CRUISE 42/49 C, LITEN HYLLE DÖRR CR42/CR49 C.
22	SBF00118AA	EVAPORADOR CR42 CLASSIC/ ELEGANCE FÖRÅNGARE CR42 CLASSIC/ ELEGANCE
24	SBD00026AA	FILTRO 10GR 2V XH7 PARA R134A Ø19mm foro in-out 5,0-5,1 FILTER FÖR 2V XH7 FÖR R134A Ø19mm in-out 5,0-5,1
25	SBA00045DA	COMPRESOR SECOP BDMICRO 12/24V SIN CAJA ELECTRONICA KOMPRESSOR SECOP BDMICRO 12/24V UTAN ELDEL
26	SEG00043DA	CAJA ELECTRONICA DANFOSS/SECOP BDMICRO VSD 12/24V ELDEL SECOP BDMICRO VSD 12/24V
26	SEG00050GA	CAJA ELECTRONICA DANFOSS/SECOP BDMICRO VSD AC/DC ELDEL SECOP BDMICRO VSD AC/DC
27	SEA00092DA	TERMOSTATO CRUISE 42/49/65/85/130 C. THERMOSTAT CRUISE 42/49/65/85/130 C.
28	SEA00093AA	RUEDA REGUL. TERMOSTATO CRUISE 42/49/65/85/130 DR 49/55/65 C. THERMOSTAT-VRED CRUISE 42/49/65/85/130 DR49/55/65
29	SEC00038DA	LUZ LED CR49/64/85/130 ELEGANCE LED LAMPA CR49/64/85/130 ELEGANCE
30	SEA00094AA	CAJA TERMOSTATO CRUISE 42/49/65/85/130 C. THERMOSTATDOSOR CRUISE 42/49/65/85/130 C.
31	SEB00039AA	KIT PORTAFUSIBLES 15A SÄKRINGS-KIT 15A
32	SBD00104AA	CONDENSADOR CRUISE 42/49/65 C KONDENSOR CR42/49/65 C.
33	SBG00037DA	VENTILADOR 9X9 CR42/CR49/CR65 ELEGANCE FLÄKT 9x9 CR42/CR49/CR65 ELEGANCE
34	SGF00026AA	PLASTICO POSICION VENTILACION/CIERRE CRUISE ELEGANCE VENTILATION/STÄNGINGS STÄLLARE I PLAST CRUISE ELEGANCE