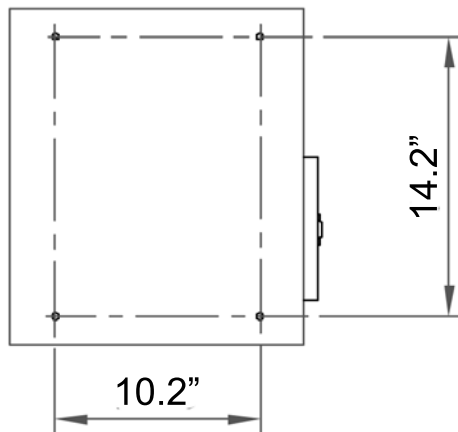
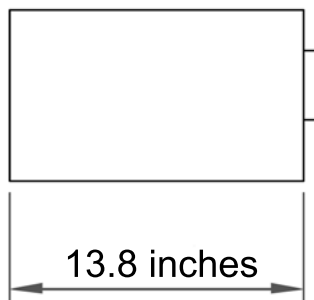
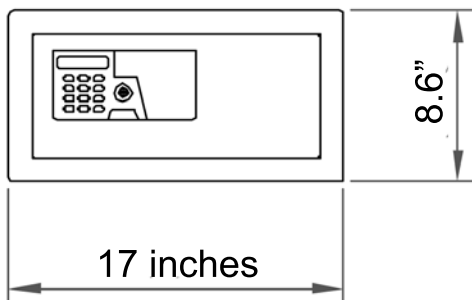
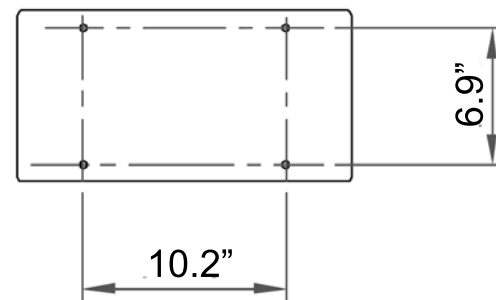


Bottom



Rear side



Drawn	Checked	Title/Name, designation, position, department etc			Article No./Reference	
Designed by	Checked by	Approved by - date	Release	Date	Scale	
				Title/Name		
				Safe 30E		
Drawing number				Office	Sheet	

RevNo	Revision note	Date	Signature	Checked
-------	---------------	------	-----------	---------