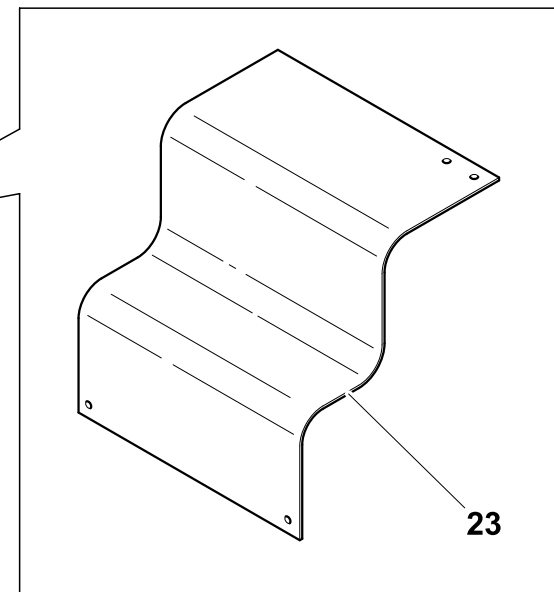
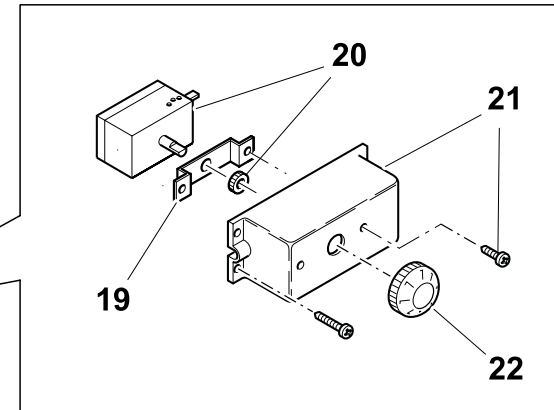
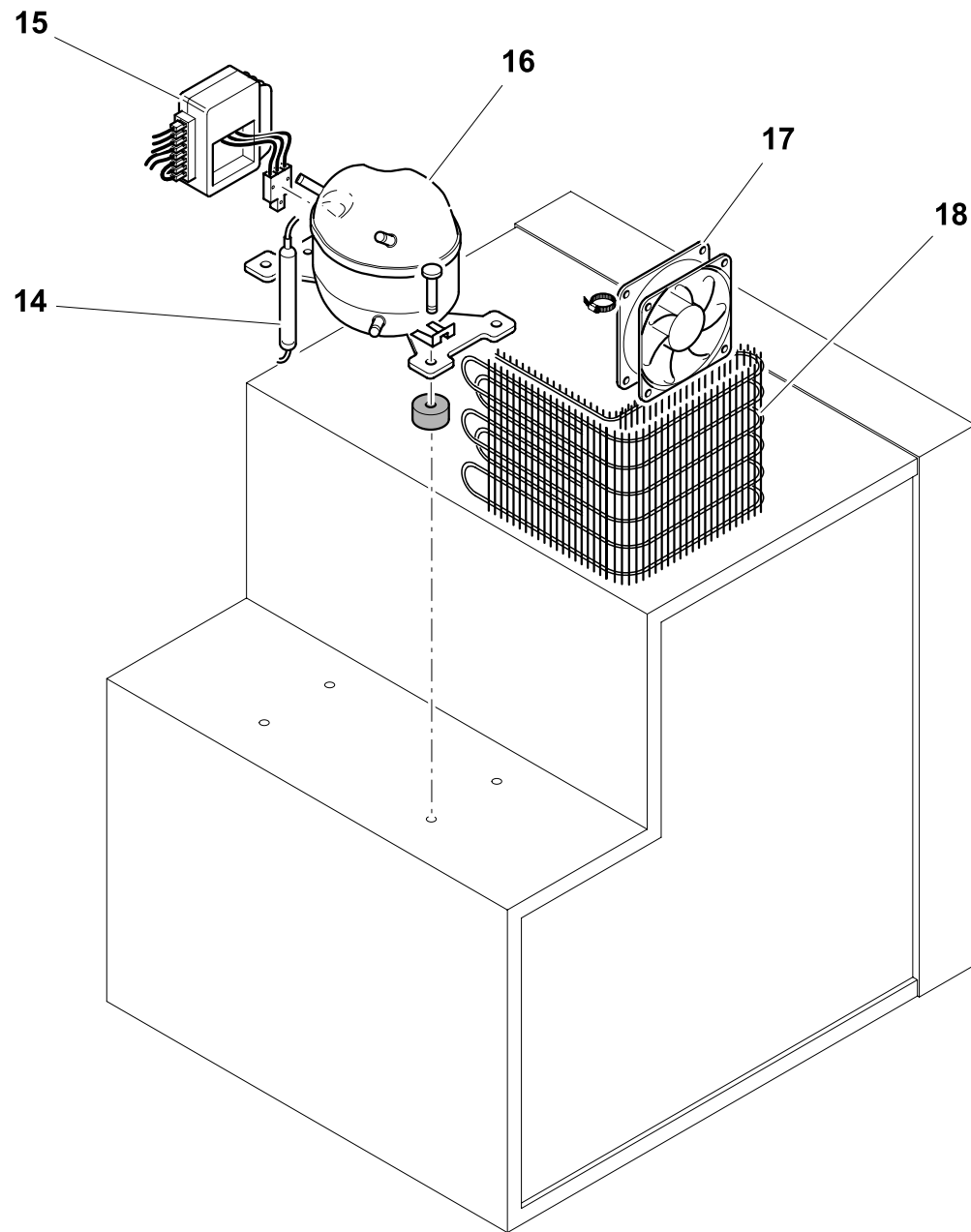


CR 65 FREEZER - CABINET



CR 65 FREEZER - COOLING UNIT

NUMERO NUMBER	CODICE ARTICOLO ITEM CODE	DESCRIZIONE ARTICOLO ITEM DESCRIPTION
1	SAA00048AA	GHIACCIAIA CR65 FREEZER CABINET CR65 FREEZER
2		
3	SBE00021AA	CERNIERA INOX CR42/50/65/80/120L F006 HINGE INOX FOR CR42-50-65-80-120L F006
4 - 5	SGC00009AA	GRIGLIA INTERNA CR65/CR65 FREEZER F073 INTERNAL SHELF CR65/CR65 FREEZER F073
6	SGC00155AA	CASSETTO CR65 FREEZER F202 DRAWER BIN CR65 FREEZER F202
7	SGD00008AA	KIT MANIGLIA CRUISE F005 TP39212 DOOR KIT HANDLE CRUISE TP39212
8		
9	SGC00063AA	PROFILO FISS. PANNELLO CR120/130 F055 PROFILE FOR FIXING PANEL CR120/130 F055
10	SGC00165AA	PORTA COMPLETA CR65 FREEZER COMPLETE DOOR FOR CR65 FREEZER
11	SGC00022AA	CUBETTIERA D021 ICE CUBE D021
12	SGB00036AA	SOSTEGNO INOX CONTROPORTA CR42/50/65/80/120L INOX SUPPORT FOR CRUISE DOOR CR42/50/65/80/120L
13	SDF00010AA	PIEDINI CRUISE RUBBER FOOT CRUISE/TB26 E073
14	SBD00073AA	FILTRO 10g PER CR FILTER 10Gr FOR R134a B041 TUBE 6+2mm (CRUISE/DANFOSS)
15	SEG00002DA	CENTRALINA DANFOSS BD35/50F 12/24V ELECTRICAL UNIT DANF. 101N0210 BD35/50F 12/24V TP39310
15	SEG00030GA	CENTRALINA DANFOSS BD35/50F AC/DC 12/24V DC 110/220V AC ELECT. UNIT DANFOSS BD35F/50FAC/DC 12/24V-115/230V
16	SBA00002DA	COMPRESSORE DANFOSS BD35F DANFOSS COMPRESSOR BD35F 12/24V NO ELECTRICAL UNIT TP39301
17	SBG00005BA	VENTOLA CABLATA 12V LOW SPEED FAN 12V LOW SPEED FOR COMPACT AND CRUISE TP39236
18	SBD00028AA	CONDENSATORE A FILO AIR CONDENSER PIN TYPE WITH BRACKET (G251+G267) TP29014
19	SEA00021AA	STAFFA FISSAGGIO TERMOSTATO THERMOSTAT PROBE ALUMINIUM FIXING BRACKET C009
20	SEA00103AA	TERMOSTATO CR63F/CR65FCR90F FREEZER THERMOSTAT CR63F/CR65F/CR90F FREEZER
21	SEA00012AA	SCATOLA PVC BIANCA TERMOSTATO FREEZER WHITE THERMOSTATE HOUSE FOR FREEZER THERMOSTAT
22		
23		