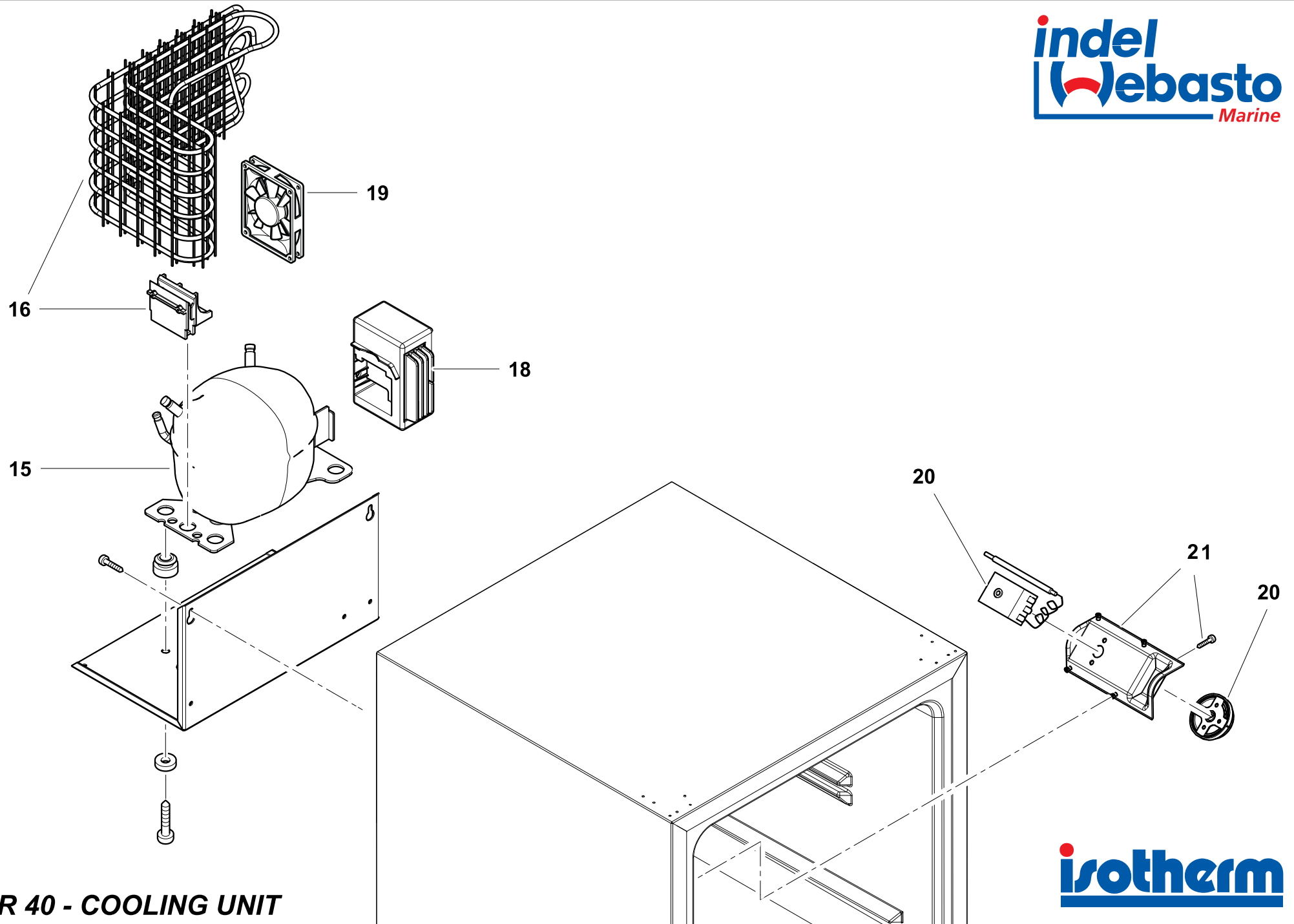


**CR 40 - CABINET**



**CR 40 - COOLING UNIT**

<b>NUMERO</b> <b>NUMBER</b>	<b>CODICE ARTICOLO</b> <b>ITEM CODE</b>	<b>DESCRIZIONE ARTICOLO</b> <b>ITEM DESCRIPTION</b>
2	SBE00068AA	CERNIERA INOX TUTTI CR VER. INOX + CR40 CUBIC + (CR49 CR65 CR85 CR130 C.) HINGE INOX FOR ALL VER. INOX TYPE + CR40 CUBIC +(CR49 CR65 CR85 CR130 C.)
4	SGC00344AA	PORTA CR40 CUBIC COMPLETA DI GUARNIZIONE DOOR CR40 CUBIC COMPLETE WITH GASKET
5	SGD00004AA	KIT MANIGLIA BIANCA CRUISE HANDLE WHITE KIT FOR CRUISE
6	SGC00345AA	SGOCCIOLATOIO PLASTICA BIANCA CR40 CUBIC WHITE PLASTIC DRIP TRAY CR40 CUBIC
7	SDF00069AA	GUARNIZIONE PORTA CR40 CUBIC RUBBER GASKET CR40 CUBIC DOOR
8	SGC00346AA	GRIGLIA INTERNA INTERMEDIA CR40 CUBIC INTERNAL MIDDLE SHELF FOR CR40 CUBIC
9	SGB00124AA	SCONTRINO INOX AGGANCIO MANIGLIA CR40 CUBIC INOX HINGE FOR CR40 CUBIC DOOR HANDLE
11	SGC00349AA	GRIGLIA ALLUMINIO INTERNA CR40 CUBIC ALLUMINIUM INTERNAL SHELF FOR CR40 CUBIC
12	SBD00125AA	TUBO TRASPARENTE CRISTALLO Ø11/8 DRENAGGIO CR40 CUBIC PLASTIC TUBE FOR DRAIN WATER Ø11/8 CR40 CUBIC
15	SBA00002DA	COMPRESSORE BD35F SENZA CENTRALINA DANFOSS COMPRESSOR BD35F 12/24V NO ELECTRICAL UNIT TP39301
16	SBD00028AA	CONDENSATORE A FILO PIEGATO CON STAFFA AIR CONDENSER PIN TYPE WITH BRACKET
18	SEG00002DA	CENTRALINA DANFOSS 101N0210 BD35/50F 12/24V ELECTRICAL UNIT DANF. 101N0210 BD35/50F 12/24V
18	SEG00030GA	CENTRALINA DANFOSS B35F/BD50F AC/DC 12/24V-115/230V ELECT. UNIT DANFOSS BD35F/50FAC/DC 12/24V-115/230V
19	SBG00005BA	VENTOLA CABLATA 12V LOW SPEED FAN 12V LOW SPEED FOR COMPACT AND CRUISE
20	SEA00043DA	TERMOSTATO MECC. CR40/TB50/BI41/BI53/BI75/BI92 (PRODIGY) THERMOSTAT CR40/TB50/BI41/BI53/BI75/BI92 MECHANICAL (PRODIGY)
21	SEA00070AB	PORTATERMOSTATO BI41/CR40 CUBIC BI41/CR40 CUBIC THERMOSTAT FOLDER