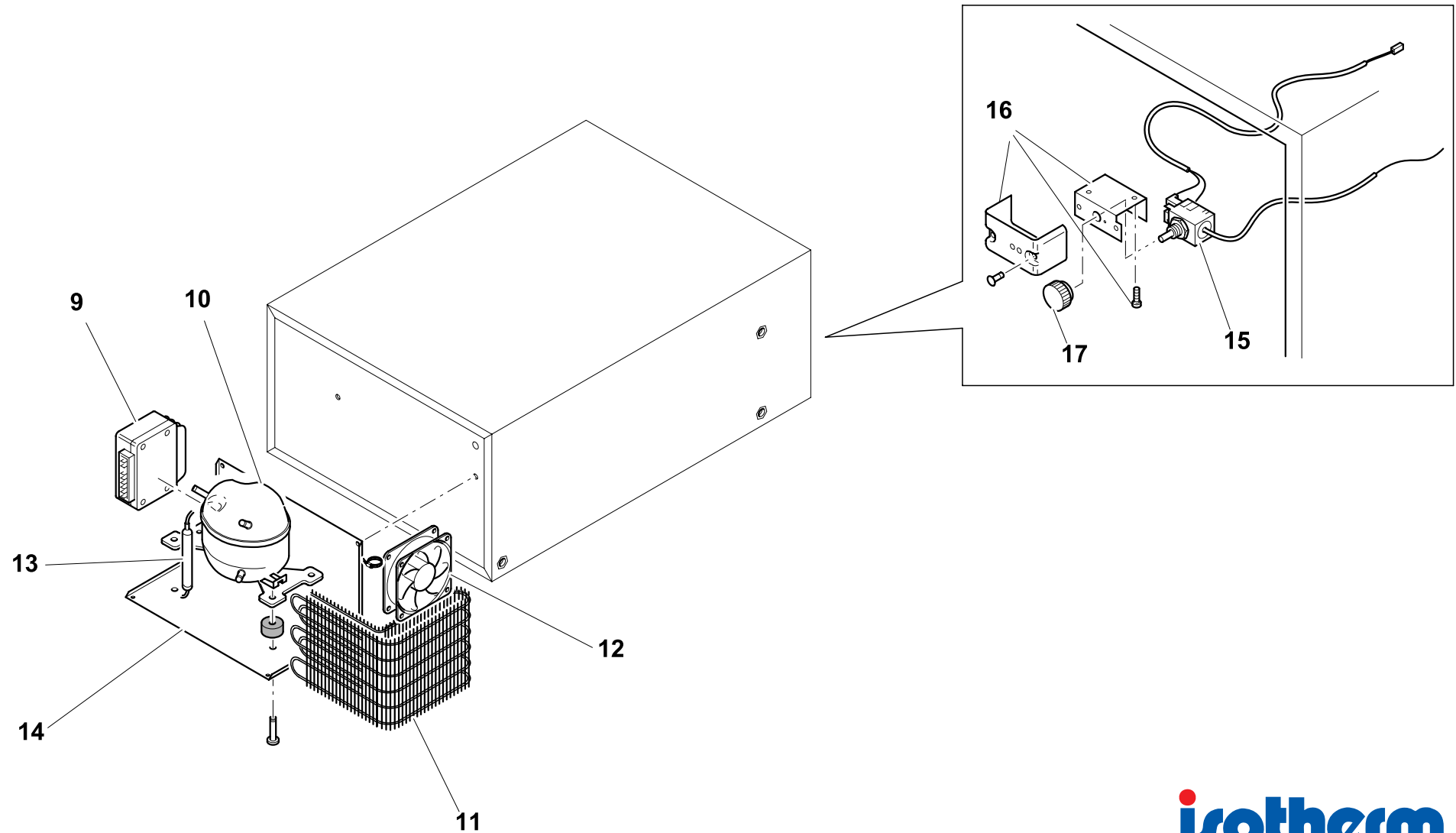


CR 36 INOX - CABINET



CR 36 INOX - COOLING UNIT

NUMERO NUMBER	CODICE ARTICOLO ITEM CODE	DESCRIZIONE ARTICOLO ITEM DESCRIPTION
1	SGD00012AA	MANIGLIA INOX "CRUISE INOX" INOX HANDLE/LOCKER FOR "CRUISE INOX"
2	SGC00147AA	PORTA INOX CR36 DOOR INOX FOR CR36 WITH LOCKER
3	SBE00040AA	KIT CERNIERE DX-SX PER CR36 COMPLETO DI BOCCOLE SET HINGES FOR CR36 WITH BUSHINGS
4	SGC00089AA	CASSETTO CR36 DRAWER CR36
5	SGB00019AA	FLANGIA 4-LATI FM CR36 INOX INOX 4-SIDE FRAME FOR CR36 INOX
6	SAA00004AA	BAULETTO CR36 CON EVAPORATORE CABINET FOR CR36 WITH EVAPORATOR
7	SDF00010AA	PIEDINI PER CRUISE RUBBER FOOT CRUISE
9	SEG00002DA	CENTRALINA DANFOSS BD35/50F 12/24V ELECTRICAL UNIT DANF. 101N0210 BD35/50F 12/24V TP39310
9	SEG00030GA	CENTRALINA DANFOSS BD35/50F AC/DC 12/24V DC 110/220V AC ELECT. UNIT DANFOSS BD35F/50FAC/DC 12/24V-115/230V
10	SBA00002DA	COMPRESSORE DANFOSS BD35F DANFOSS COMPRESSOR BD35F 12/24V NO ELECTRICAL UNIT TP39301
11	SBD00028AA	CONDENSATORE A FILO AIR CONDENSER PIN TYPE WITH BRACKET (G251+G267) TP29014
12	SBG00005BA	VENTOLA CABLATA 12V LOW SPEED FAN 12V LOW SPEED FOR COMPACT AND CRUISE TP39236
13	SBD00073AA	FILTRO 10g PER CR FILTER 10Gr FOR R134a B041 TUBE 6+2mm (CRUISE/DANFOSS)
14	SBE00059AA	BASAMENTO UNITA' CONDENSATRICE CRUISE L-BRACKET FOR COND. UNIT CRUISE
15	SEA00031DA	TERMOSTATO THERMOSTAT
16	SEA00082AA	SCATOLA TERMOSTATO CR36 HOUSE BOX FOR CR36 THERMOSTAT
17	SEA00083AA	MANOPOLA TERMOSTATO CR36 THERMOSTAT KNOB CR36