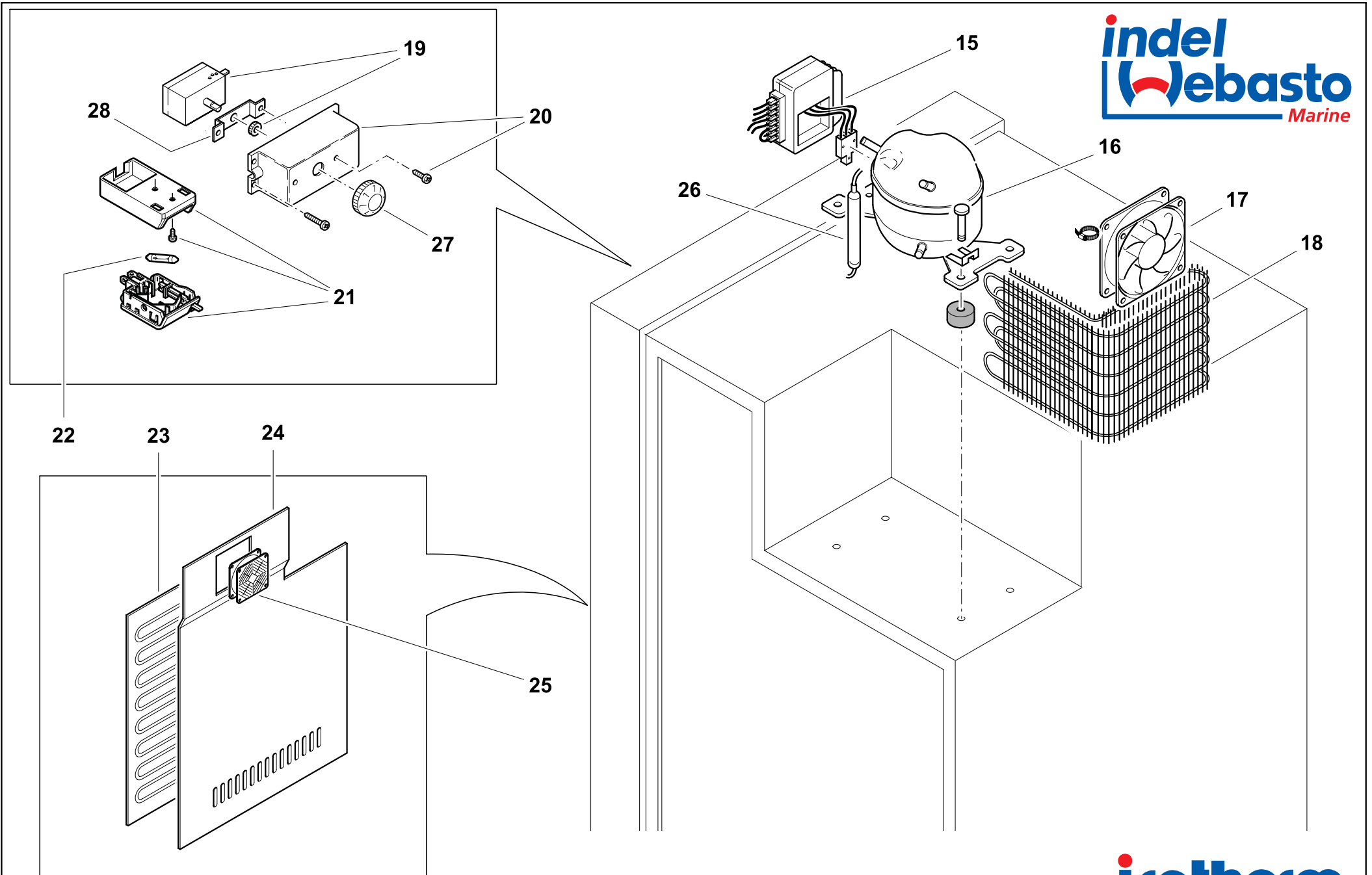


CR 130 DRINK - CABINET



CR 130 DRINK - COOLING UNIT

NUMERO NUMBER	CODICE ARTICOLO ITEM CODE	DESCRIZIONE ARTICOLO ITEM DESCRIPTION
1		
2	SBE00068AA	CERNIERA INOX CR65/90/130/195/200 E TUTTI CR VER. INOX HINGE INOX FOR CR65/90/130/195/200 AND ALL VER. INOX TYPE REF. F188
3	SGB00044AA	TOP NUOVO INCERNIERAMENTO TOP FOR CR130
4		
5	SGC00125AA	FILONCINO PER BALCONCINO PORTA METAL RETEINER CR130
6	SGC00038AA	GRIGLIA INTERNA CR130/CR195 F151 INTERNAL SHELF FOR CR130/CR195 F151
7	SGC00047AB	RIPIANO IN VETRO GLASS SHELF CR130 SET 2pz
8	SGC00068AA	CASSETTO PORTAVERDURE CR130 VEGETABLE BIN CR130
9	SGC00039AA	PORTA CR130 COMPLETE DOOR FOR CR130 F124
10	SGC00063AA	PROFILO FISSAGGIO PANNELLO PORTA PROFILE FOR FIXING PANEL CR120/130 F055
11	SGA00059AA	PANNELLO PORTA CR130 STANDARD DOOR PANEL CR130 MASONITE GREY 504x716X2.2mm
12	SGD00008AA	KIT MANIGLIA DOOR KIT HANDLE CRUISE TP39212
13	SDF00010AA	PIEDINO GOMMA CRUISE/TB26 E073 RUBBER FOOT CRUISE/TB26 E073
14		
15	SEG00002DA	CENTRALINA DANFOSS BD35/50F 12/24V ELECTRICAL UNIT DANF. 101N0210 BD35/50F 12/24V TP39310
15	SEG00030GA	CENTRALINA DANFOSS BD35/50F AC/DC 12/24V DC 110/220V AC ELECT. UNIT DANFOSS BD35F/50FAC/DC 12/24V-115/230V
16	SBA00002DA	COMPRESSORE DANFOSS BD35F DANFOSS COMPRESSOR BD35F 12/24V NO ELECTRICAL UNIT TP39301
17	SBG00005BA	VENTOLA CABLATA 12V LOW SPEED FAN 12V LOW SPEED FOR COMPACT AND CRUISE TP39236
18	SBD00028AA	CONDENSATORE A FILO AIR CONDENSER PIN TYPE WITH BRACKET (G251+G267) TP29014
19	SEA00091DA	TERMOSTATO CR130DRINK THERMOSTAT CR130DRINK
20		
21	SEC00003DA	PLAFONIERA LUCE INTERNA COMPLETA INTERNAL LIGHT KIT 12-24V TP10014
22	SEC00007BA	LAMPADINA LUCE INTERNA 12V LIGHT BULB 12V-3W G114
22	SEC00005CA	LAMPADINA LUCE INTERNA 24V LIGHT BULB 24V-3W G115
23		
24		
25	SBG00016BA	VENTOLA 12V 92x92 CR130 DRINK 2.6.482.2/0 INNER FAN 12V CR130 DRINK 2.6.482.2/0
26	SBD00073AA	FILTRO 10g PER CR FILTER 10Gr FOR R134a B041 TUBE 6+2mm (CRUISE/DANFOSS)